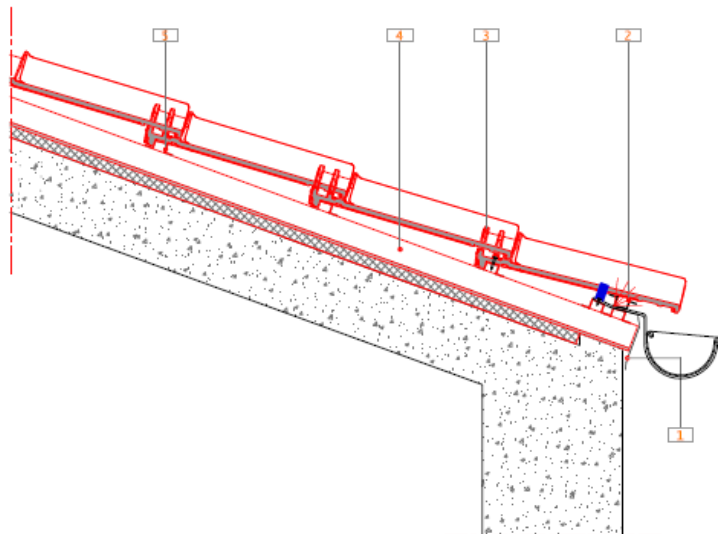
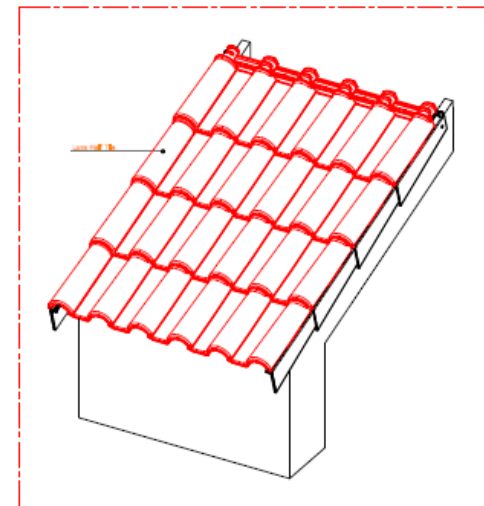
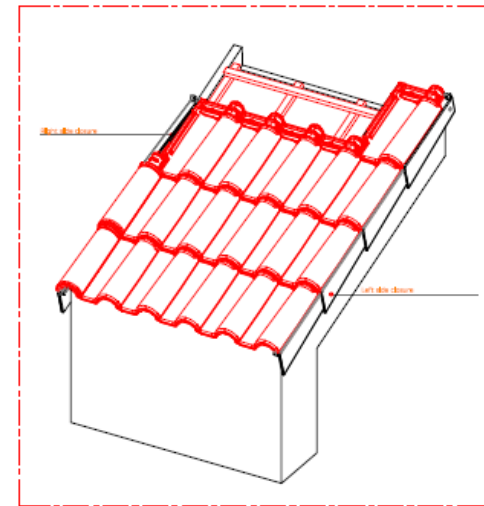



121 Vertical cross section - Drawing with a wood batten and rafter



122 Vertical cross section - Drawing with fiber cement Naturtherm sheet

- 1 General trim for eave closure
- 2 PVC protection grid
- 3 Advance Premium LUSA Tile
- 4 Naturtherm Underlay Fiber cement sheet
- 5 Metallic batten
- 6 wood batten
- 7 Eterroof DUO underlay membrane
- 8 General thermal insulation
- 9 Wood rafter
- 10 General metal gutter



PRODUCT	ADVANCE PREMIUM LUSA				
DRAWING TYPE	*Standard Eave* Cross Section View				
REFERENCE NO.	121/122 Ventilated Eave		DATE	SEP • 2017	
AUTHOR	Eduardo Jesus	SCALE	1 : 10	SHEET	2