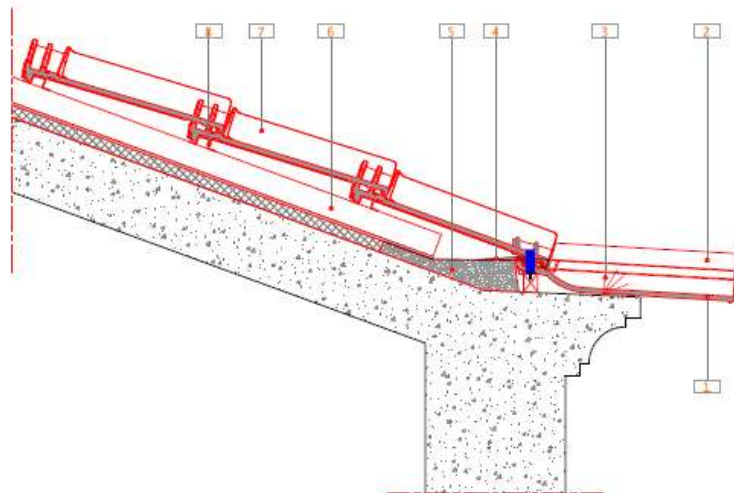
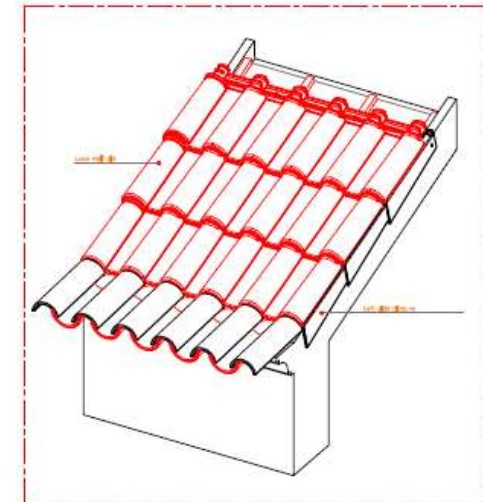
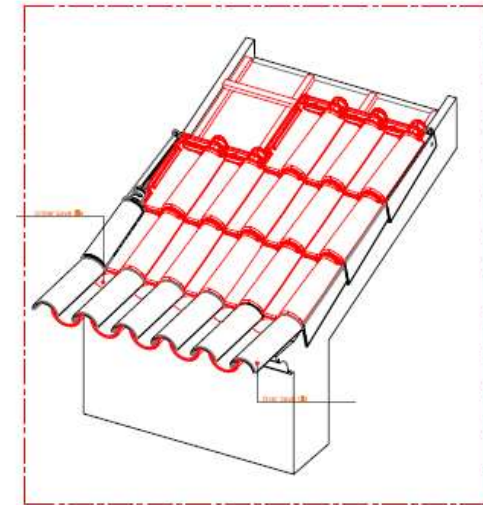



131 Vertical cross section - Drawing with a wood batten and rafter



132 Vertical cross section - Drawing with fibercement Naturtherm sheet

- 1 LUSA Under Eave Tile
- 2 LUSA Over Eave Tile
- 3 PVC protection grid
- 4 Aluminum Eave closure strip
- 5 General regularization (Ex.mortar)
- 6 Naturtherm Underlay Fibercement sheet
- 7 Advance Premium LUSA Tile
- 8 Metallic batten
- 9 Wood batten
- 10 Wood rafter
- 11 General thermal insulation
- 12 Eterroof DUO underlay membrane
- 13 Metallic eave clip



PRODUCT:	ADVANCE PREMIUM LUSA				
DRAWING TYPE:	*Portuguese Eave* Cross Section View				
REFERENCE NO.:	131/132 Ventilated Portuguese Eave				
AUTHOR:	Eduardo Jesus				
DATE:	SEP • 2017	SCALE:	1 : 10	SHEET:	3