



PV16-335 Wp Clearline PV High Performance Solar Photovoltaic Panels

(PV16-335-G1)

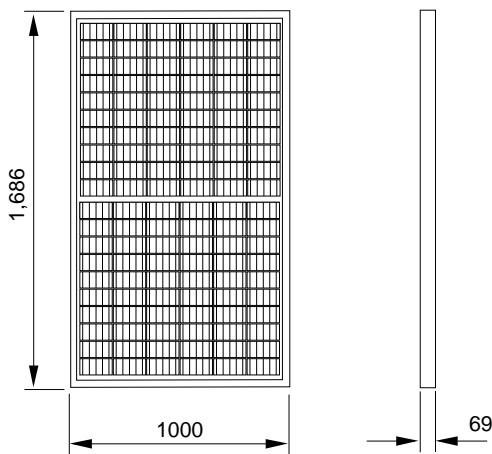
- Simple roof integration with clean, low-profile aesthetic for new build and retrofit
- Rapid installation times of less than 45 min/kWp easily achieved
- Compatible with the widest range of slate and tile including special fixings for different batten thickness
- Fitted during the normal roofing programme, enabling clarity of responsibility and safe working practices
- Achieves highest fire rating and wind resistance without modifications to the roof

Mechanical Specification

Model		PV16-335
Aperture Area	m ²	1.622
Width	mm	1,000
Length	mm	1,686
Thickness	mm	69
Weight	kg	21.7
Static roof loading (distributed)	kg / m ²	12.9
Characteristic Wind Resistance	kPa	5.32
Ultimate Design Load ¹	kPa	5.32
Positive Design Load	IEC 61215	5.40
Roofing System Fire Rating	EN 13501-5	B _{ROOF} (T1, T2, T3, T4)
Power Warranty	% rated	90% 10 years, 80% 25 years
Product Warranty		10 years
Standards		IEC61215, 61730, TUV, MCS05* , MCS12

Electrical Specification

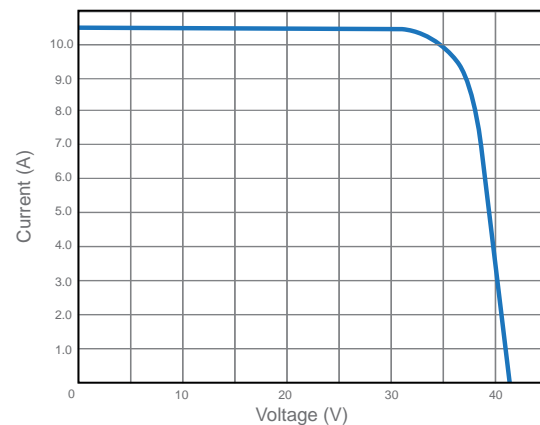
Model		PV16-335
Peak Power ²	Wp	335
Module Efficiency ³	%	20.7
Number of Cells		60x2
Maximum Power Voltage (V _{mpp})	V	34.7
Maximum Power Current (I _{mpp})	A	9.7
Open Circuit Voltage (V _{oc})	V	42.0
Short Circuit Current (I _{sc})	A	10.3
NOCT ⁴	°C	44.0
Cell Type		Monocrystalline Silicon
Power Temperature Coefficient	% / °C	-0.38
Current Temperature Coefficient	% / °C	0.05
Voltage Temperature Coefficient	% / °C	-0.30
Maximum System Voltage	V _{oc}	1,000
Maximum Fuse Rating	A	20
Safety Classification		Class II
Electrical Connectors		Genuine Stäubli MC4 PV-KST4, PV-KBT4



PV16-335-G1



I-V Curves



1 Design resistance to ultimate loads includes a partial material safety factor of 1.0
 2 Subject to a manufacturing tolerance of +/- 3%.
 3 Based on aperture area.
 4 Nominal Operating Cell Temperature
 Electrical specification measured under standard test conditions: Irradiation 1 kW/m² with light spectrum AM 1.5 and a cell temperature of 25°C.

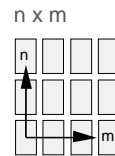
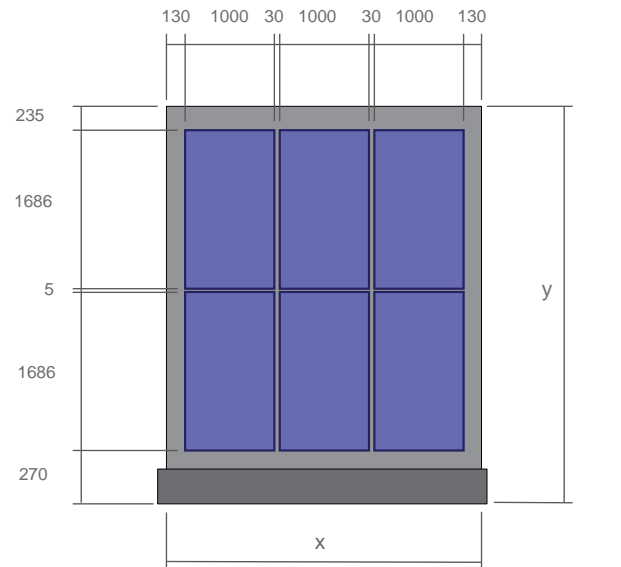
Pitched Roof Integration

Sleek, low-profile integrated solar that replaces the roof covering for an improved aesthetic and for simple roof maintenance. Simple, beautiful, durable.

Solar never looked so good.

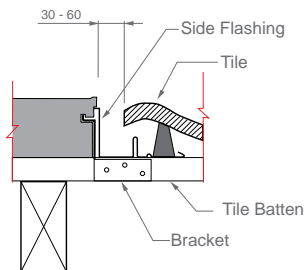
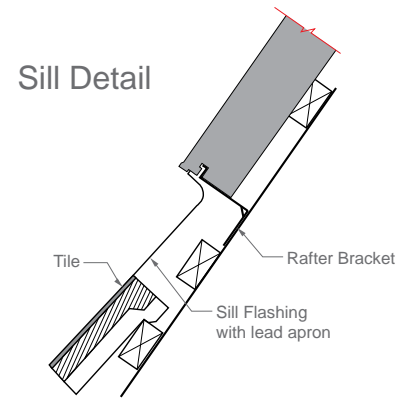
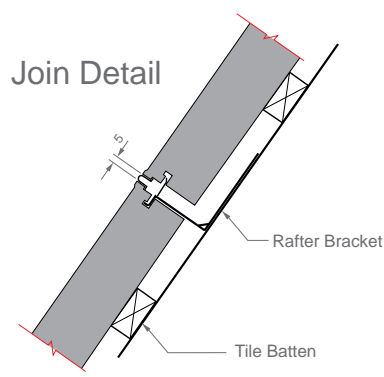
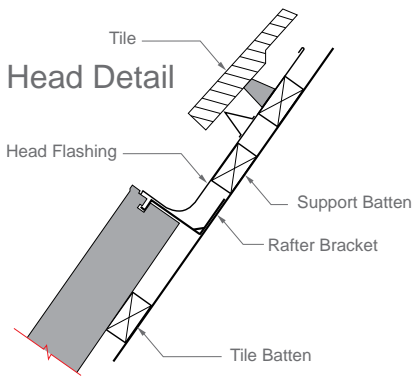


PV16-335 Wp Clearline PV High Performance Solar Photovoltaic Panels

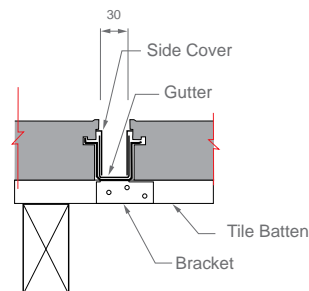


$$x = 260 + (m \times 1000) + [(m-1) \times 30]$$

$$y = 505 + (n \times 1686) + [(n-1) \times 5]$$



Side Detail



Gutter Detail
(joined flashings)

Marley Approved Installers & helpful tools?

Contact us: 010 600 0284
 Email: info@marley.co.za
 Visit our website: www.marleyroofing.co.za or scan this QR code!
 Follow us!

